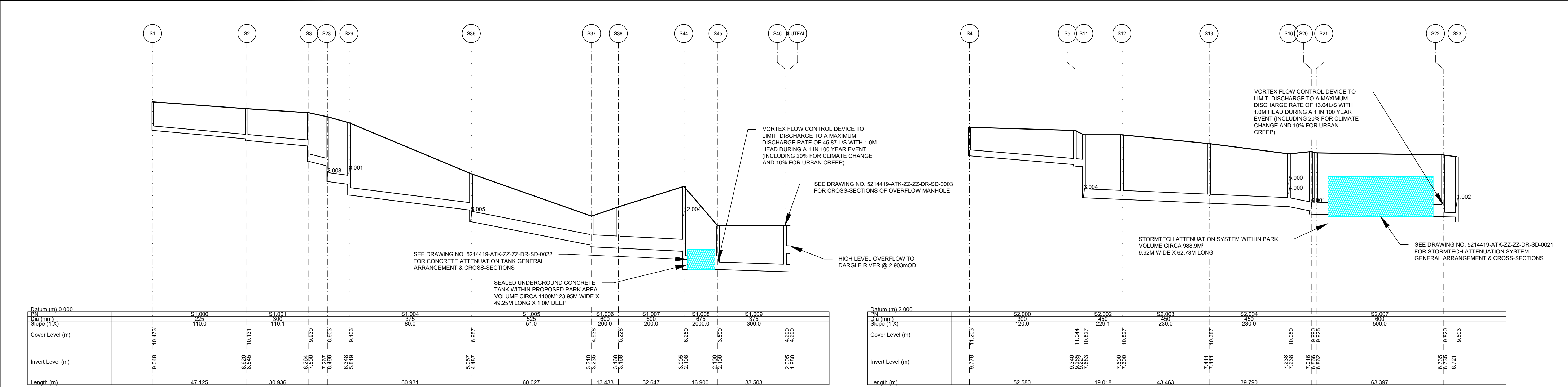


A1

DO NOT SCALE

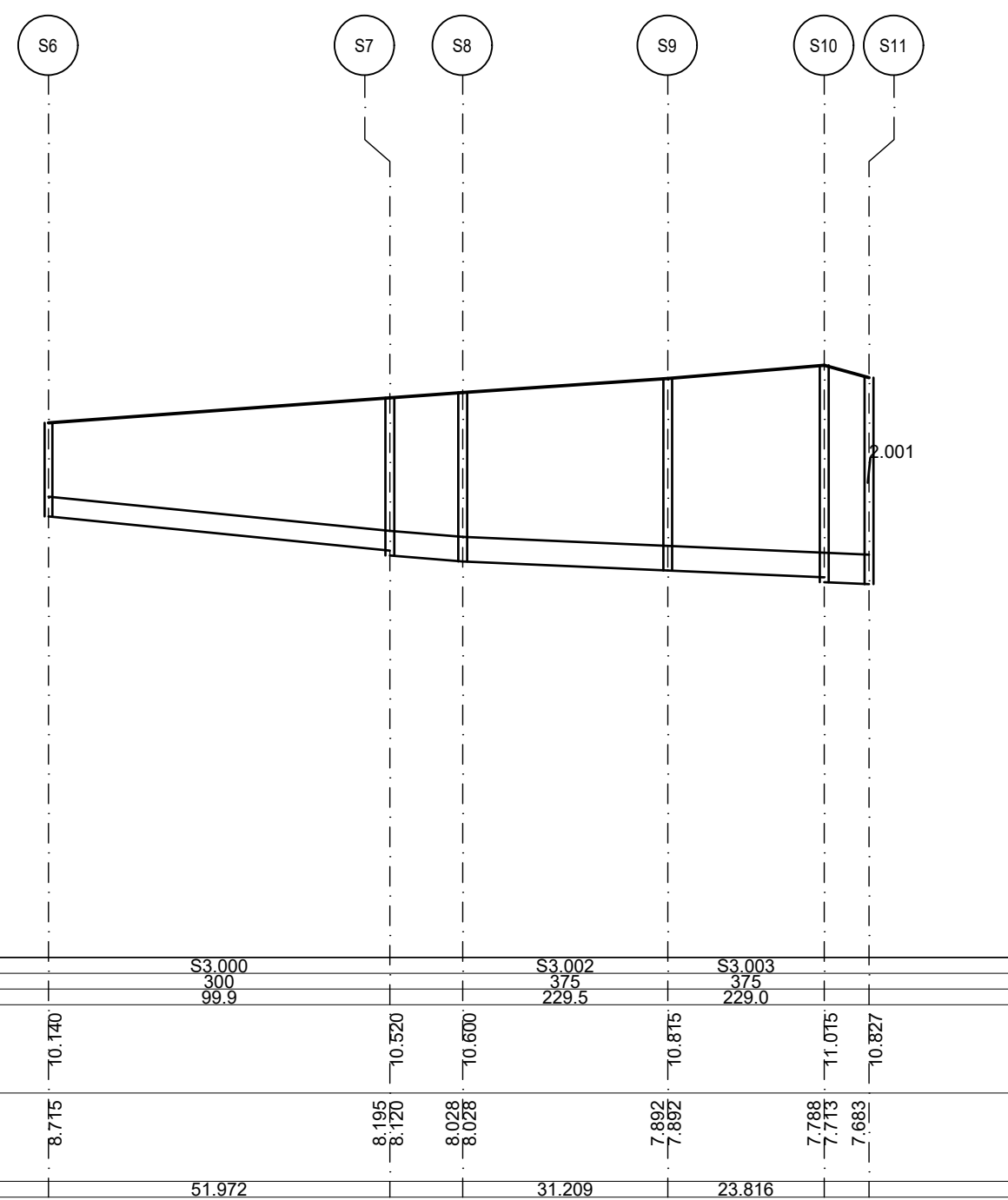
File: 5214419-ATK-01-ZZ-DR-CE-0510_0511.dwg
Date: Sep 12, 2022 - 3:56pm
Printed by: patrick.sheridan

U:\5214419\6 Dwg-Graphics\61 AutoCad\5214419-ATK-01-ZZ-DR-CE-0510_0511.dwg

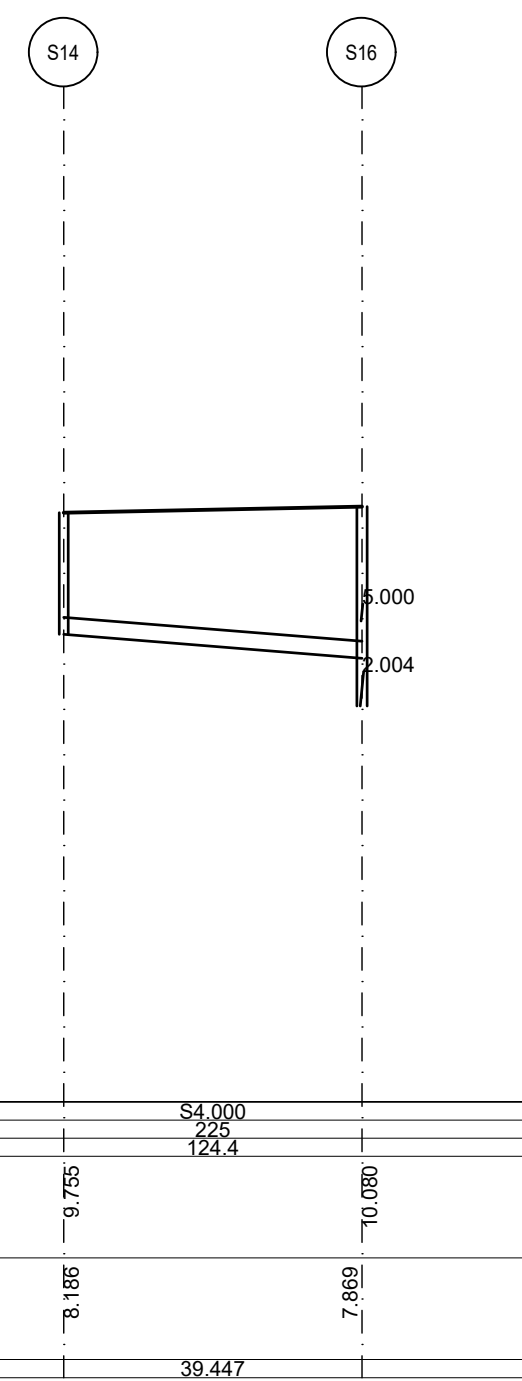


Longitudinal Section SMH1 - Outfall
Scale 1:1000 (Horizontally), 1:100 (Vertically)

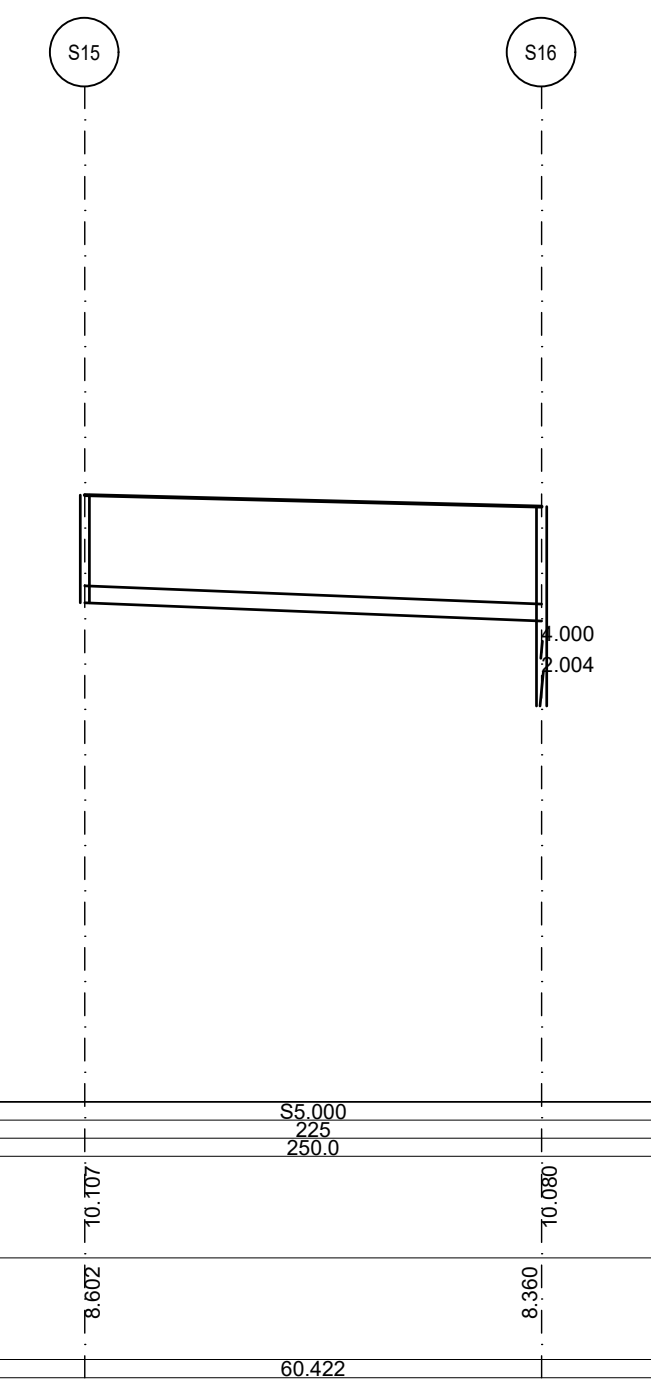
Longitudinal Section SMH4 - SMH23
Scale 1:1000 (Horizontally), 1:100 (Vertically)



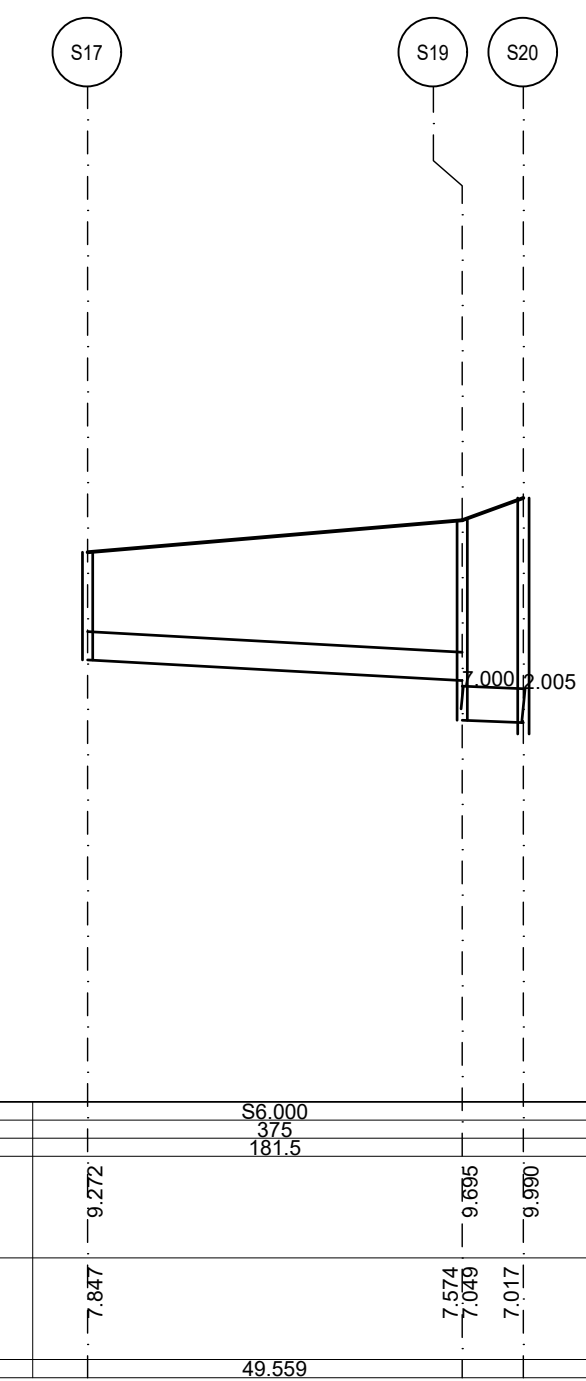
Longitudinal Section SMH6 - SMH11
Scale 1:1000 (Horizontally), 1:100 (Vertically)



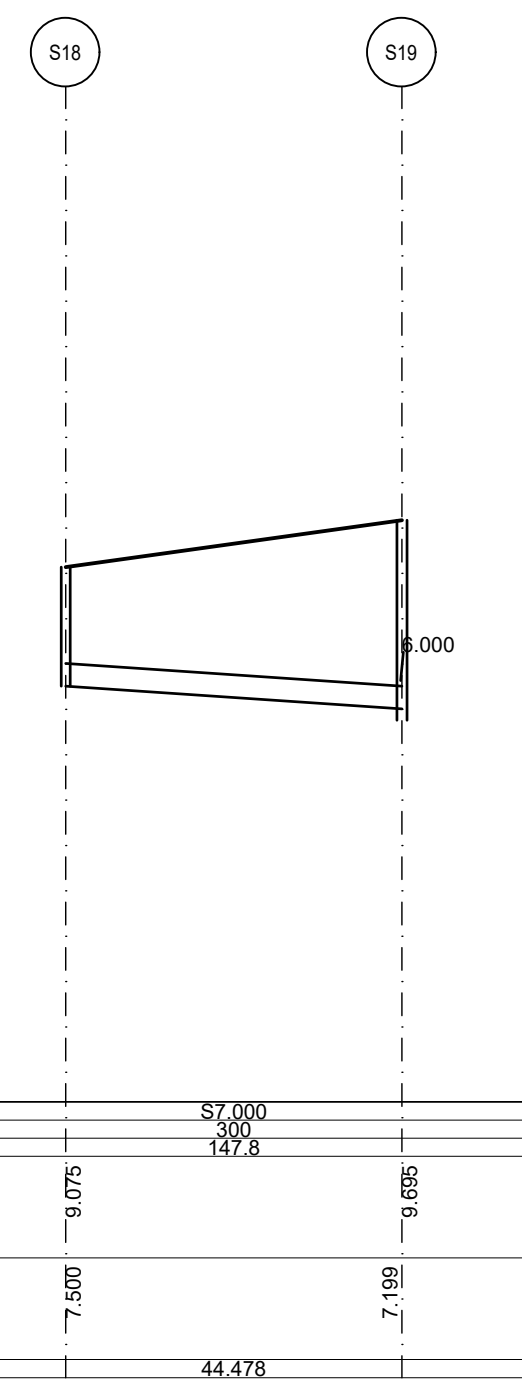
Longitudinal Section SMH14 - SMH16
Scale 1:1000 (Horizontally), 1:100 (Vertically)



Longitudinal Section SMH15 - SMH16
Scale 1:1000 (Horizontally), 1:100 (Vertically)



Longitudinal Section SMH17 - SMH20
Scale 1:1000 (Horizontally), 1:100 (Vertically)



Longitudinal Section SMH18 - SMH19
Scale 1:1000 (Horizontally), 1:100 (Vertically)

© ORDNANCE SURVEY IRELAND LICENSE No. AR 0082521.
ORDNANCE SURVEY IRELAND & GOVERNMENT OF IRELAND

Rev	Description	By	Date	Chk'd	Auth
P01	ISSUED FOR PLANNING	PS	06.09.22	AC	GH

ATKINS
Member of the SNC-Lavalin Group

Atkins House, 150-155 Ainslie Unit 2B, 2200 Cork Airport
Business Park, Swords, Co. Dublin Business Park, Cork
Tel (+353) 01 810 8000 Tel (+353) 021 429 0300
Fax (+353) 01 810 8001 Fax (+353) 021 429 0360

1st Floor Technology House
Parkmore Technology Park, Galway
Tel (+353) 091 786 050
Fax (+353) 091 779 830

Client	SHANKILL PROPERTY INVESTMENTS LTD		
Project	COASTAL QUARTER SHD 2		

Purpose				PLANNING			
Title				PROPOSED STORM WATER LONG SECTIONS SHEET 1 of 2			
Original Scale	Design/Drawn	Checked	Authorized				
AS SHOWN	PS	AC	GH				
Status	Date	Date	Date				
P	26.05.22	26.05.22	26.05.22				
Drawing Number	5214419-ATK-01-ZZ-DR-CE-0510			Rev			
P01				P01			